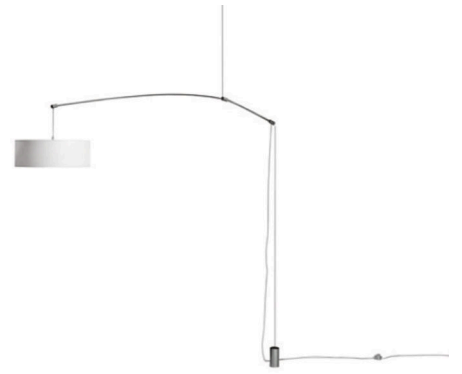


DT Light

Design:
PHIL LUITHLEN
2003



+ info: <https://www.depadova.com/materials.pdf>
De Padova srl - info@depadova.it

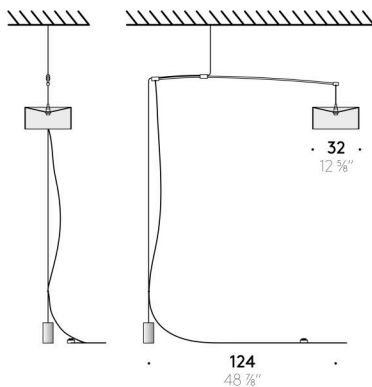
PENDANT LAMP

Materials

Stem
satin anodised aluminium.

White lampshade
parchment (cellulose, PVC).

Control
dimmer not integrated on the lamp.



EU / UK

INPUT 220÷240V - 50/60Hz
BULB E14, max 60W

USA

INPUT 100÷120V - 50/60Hz
SOURCE E12, max 40W



DT Light

Design:
PHIL LUITHELEN
2003



+ info: <https://www.depadova.com/materials.pdf>
De Padova srl - info@depadova.it

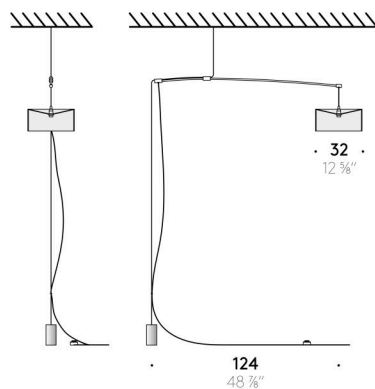
LAMPADA A SOSPENSIONE

Materiali

Stelo
alluminio anodizzato satinato.

Paralume bianco
pergamena (cellulosa, PVC).

Controllo
dimmer non incluso nella lampada.



EU / UK

INPUT 220÷240V - 50/60Hz
BULB E14, max 60W

USA

INPUT 100÷120V - 50/60Hz
SOURCE E12, max 40W



DT Light

Design:
PHIL LUITHELEN
2003



+ info: <https://www.depadova.com/materials.pdf>
De Padova srl - info@depadova.it

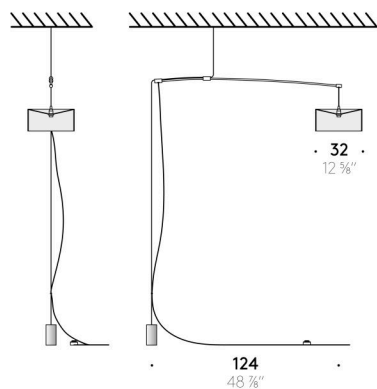
LAMPE À SUSPENSION

Matériaux

Tige
aluminium anodisé satiné.

Abat-jour blanc
parchemin (cellulose, PVC).

Contrôle
gradateur non inclus dans la lampe.



EU / UK

INPUT 220÷240V - 50/60Hz
BULB E14, max 60W

USA

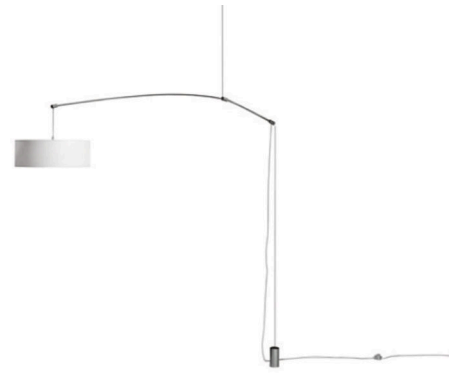
INPUT 100÷120V - 50/60Hz
SOURCE E12, max 40W



NOT INCLUDED

DT Light

Design:
PHIL LUITHELEN
2003



+ info: <https://www.depadova.com/materials.pdf>
De Padova srl - info@depadova.it

HÄNGELEUCHTE

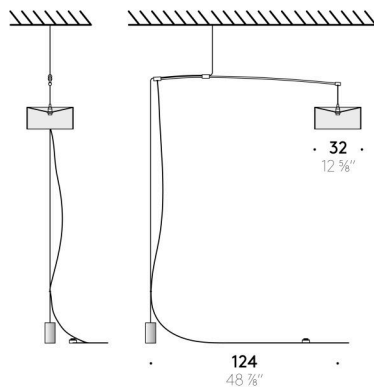
Materialien

Leuchtenstiel
Eloxiertes Aluminium satiniert.

Lampenschirm weiß
Pergament (Zellulose, PVC).

Steuerung

Dimmer nicht in der Leuchte integriert.



EU / UK

INPUT 220÷240V - 50/60Hz
BULB E14, max 60W

USA

INPUT 100÷120V - 50/60Hz
SOURCE E12, max 40W



DT Light

Design:
PHIL LUITHELEN
2003



+ info: <https://www.depadova.com/materials.pdf>
De Padova srl - info@depadova.it

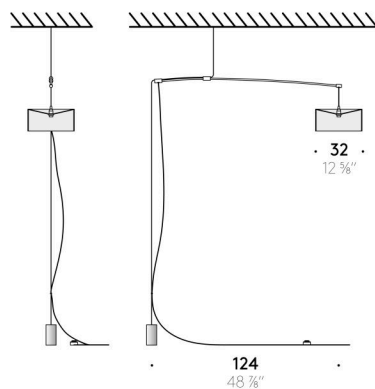
LÁMPARA DE SUSPENSIÓN

Materiales

Pie
aluminio anodizado satinado.

Pantalla blanco
pergamino (celulosa, PVC).

Control
dimmer no incluido en la lámpara.



EU / UK

INPUT 220÷240V - 50/60Hz
BULB E14, max 60W

USA

INPUT 100÷120V - 50/60Hz
SOURCE E12, max 40W

