



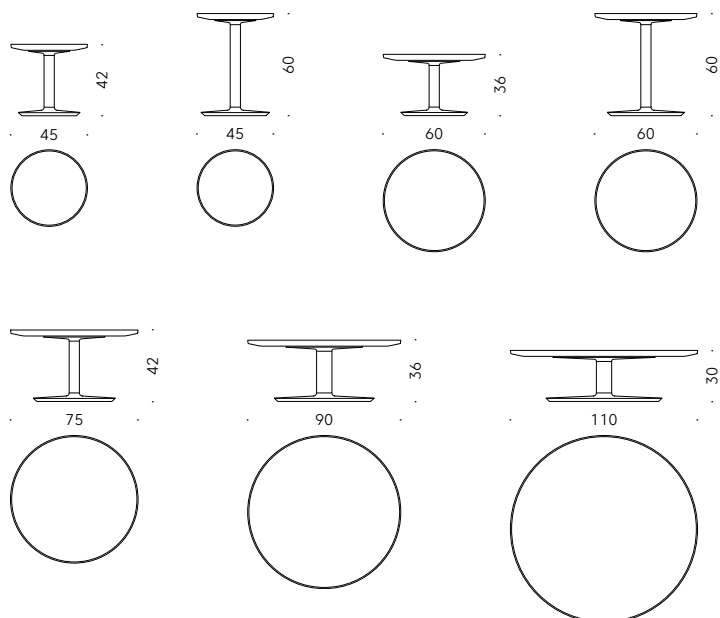
Imperial Family **Time & Style *ē*dition, 2020** **Made in Japan**

Serie di tavolini

Materiali:

STRUTTURA E PIANO: massello di rovere tinto bianco neve o grigio carbone, finito con vernice trasparente a base acqua o a solvente.

+info:
<http://www.depadova.com/timeandstyleedition-materials.pdf>





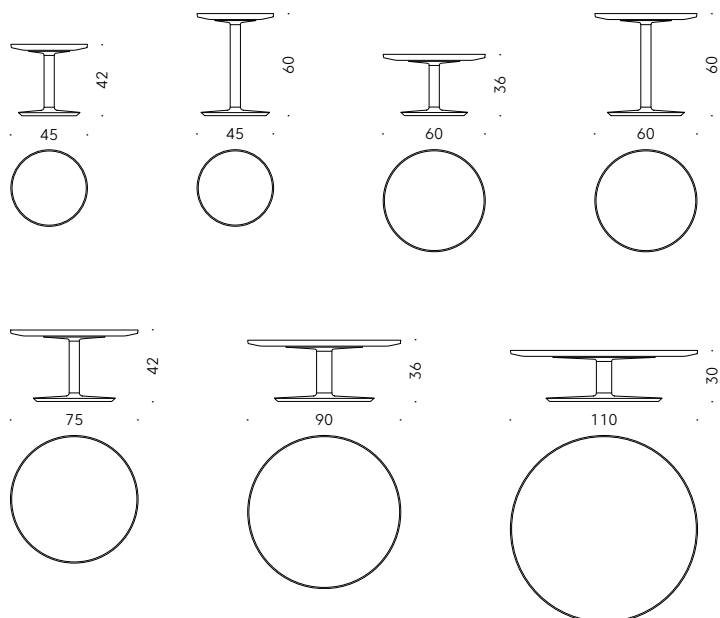
Imperial Family **Time & Style ēdition, 2020** **Made in Japan**

Series of low tables

Materials:

FRAME AND TOP: snow white or grey charcoal-stained solid oak, finished with transparent water-based or solvent-based coating.

+info:
<http://www.depadova.com/timeandstyleedition-materials.pdf>





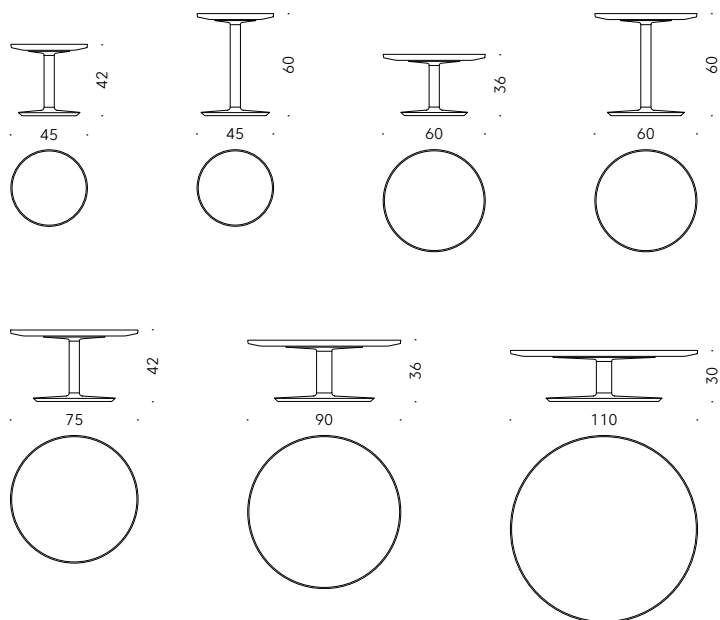
Imperial Family **Time & Style ēdition, 2020** **Made in Japan**

Série de petits tables

Matériaux:

STRUCTURE ET PLAN: massif de chêne laqué blanc neige ou gris carbon, finis avec laque transparente à base eau ou à dissolvant.

+info:
<http://www.depadova.com/timeandstyleedition-materials.pdf>





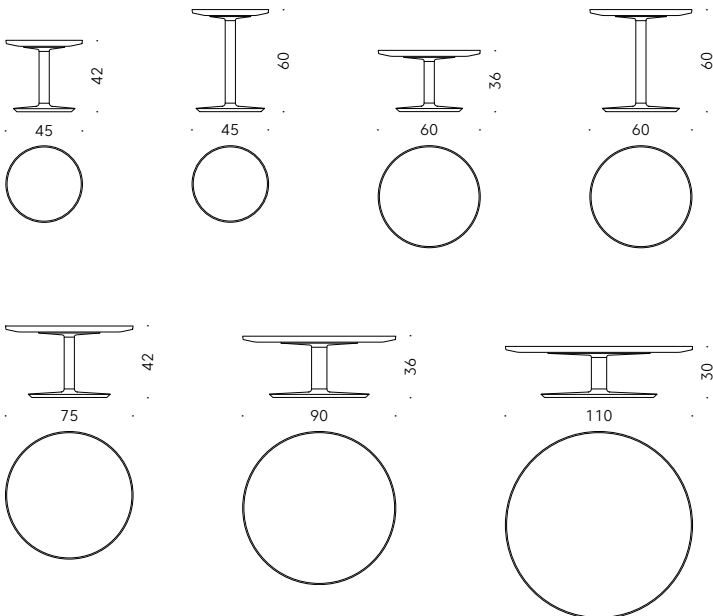
Imperial Family **Time & Style **ē**dition, 2020** **Made in Japan**

Serie Beistelltische

Materialien:

GESTELL UND TISCHPLATTE: Massiveiche, Schneeweiß oder kohlgrau gebeizt, endbehandelt mit transparentem Lack auf Wasser- oder Lösemittelbasis.

+info:
<http://www.depadova.com/timeandstyleedition-materials.pdf>





Imperial Family **Time & Style *ē*dition, 2020** **Made in Japan**

Serie de mesitas

Materiales:

ESTRUCTURA Y TOP: macizo de roble teñido blanco nieve o gris carbon, acabado con laca transparente a base agua o disolvente.

+info:
<http://www.depadova.com/timeandstyleedition-materials.pdf>

