

## Sen Pouf Outdoor Kensaku Oshiro 2021

### Pouf

#### Materiali

BASAMENTO: acciaio inox AISI 304 verniciato a polvere color grigio antracite. Piedini regolabili.

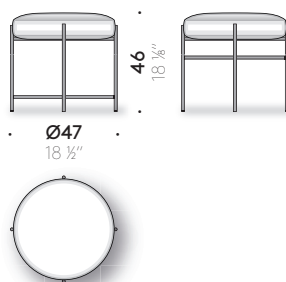
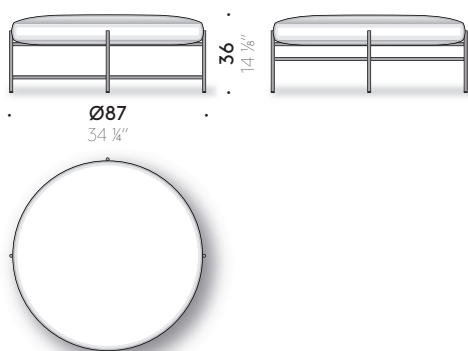
STRUTTURA: pannello di multistrato marino (certificato classe E0, CARB P2/TSCA Title VI).

IMBOTTITURA: poliuretano espanso e ovatta di poliestere foderato con tela di poliestere idrorepellente.

RIVESTIMENTO: rivestimento tecnicamente sfoderabile in tessuto outdoor.



+info:  
<http://www.depadova.com/materials.pdf>



## Sen Pouf Outdoor Kensaku Oshiro 2021

### Pouf



#### Materials

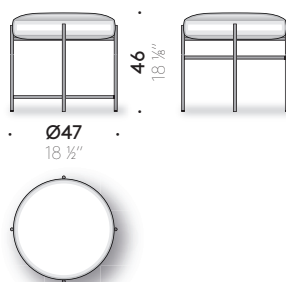
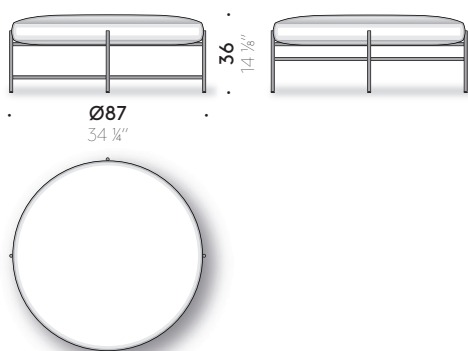
BASE: anthracite grey powder-coated AISI 304 stainless steel. Adjustable feet.

FRAME: marine plywood panel (class E0, CARB P2 / TSCA Title VI certified)

PADDING: polyurethane foam and polyester wadding covered with waterproof polyester cloth.

COVER: technically removable cover in outdoor fabric.

+info:  
<http://www.depadova.com/materials.pdf>



## Sen Pouf Outdoor Kensaku Oshiro 2021

### Pouf

#### Matériaux

EMBASE: acier inox AISI 304 peint à poudre gris anthracite. Pieds réglables.

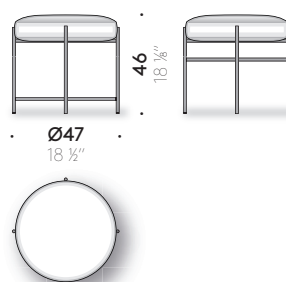
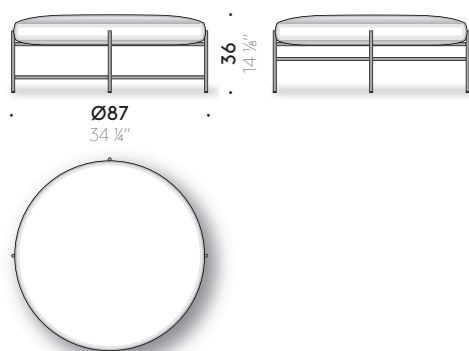
STRUCTURE: panneau de multiplis marin (certificat classe E0, CARB P2/TSCA Title VI)

REMOURRAGE: mousse de polyuréthane et ouate de polyester doublée avec toile de polyester.

REVÊTEMENT: revêtement techniquement déhoussable en tissu outdoor.



+info:  
<http://www.depadova.com/materials.pdf>



## Sen Pouf Outdoor Kensaku Oshiro 2021

### Puff



#### Materialien

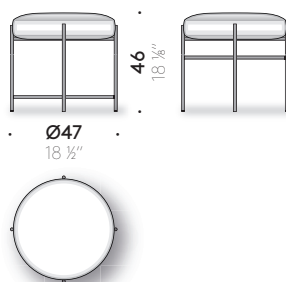
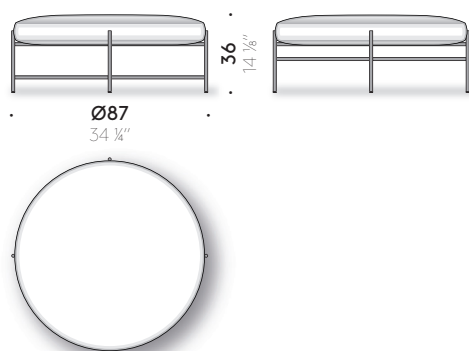
UNTERGESTELL: Edelstahl AISI 304 mit Pulverlackierung, anthrazitgrau. Verstellbare FüÙe.

GESTELL: Bootsbausperholzplatte (zertifiziert Klasse E0, CARB P2 /TSCA Title VI).

POLSTERUNG: Polyurethanschium und Polyesterwatte mit Überzug aus wasserabweisendem Polyestergewebe.

BEZUG: technisch abnehmbarer Bezug aus Outdoor-Stoff.

+info:  
<http://www.depadova.com/materials.pdf>



## Sen Pouf Outdoor Kensaku Oshiro 2021

### Puf



#### Materiales

BASE: acero inoxidable AISI 304 pintado al polvo color gris antracita. Pies ajustables.

ESTRUCTURA: panel de multicapa marina (certificado clase E0, CARB P2/TSCA Title VI).

RELLENO: espuma de poliuretano y guata de poliéster tapizadas con tela de poliéster repente al agua.

REVESTIMIENTO: revestimiento técnicamente desenfundable de tejido outdoor.

+info:  
<http://www.depadova.com/materials.pdf>

