

Naviglio

Design:
PIERO LISSONI



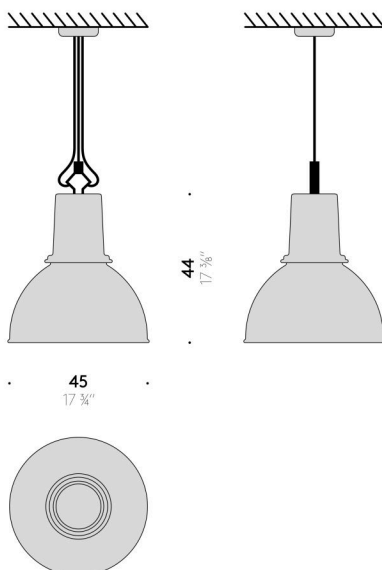
+ info: <https://www.depadova.com/materials.pdf>
De Padova srl - info@depadova.it

PENDANT LAMP

Materials

Body
cream-coloured liquid painted spun aluminium, or exterior part powder-coated in black colour, Comodoro green 'soft touch', Nevada red and interior part liquid-painted in cream colour.

Control
dimmer not included in the lamp.



EU		USA	
INPUT	220÷240V - 50/60Hz	INPUT	110V - 50/60Hz
BULB	LED E27, max 21W	BULB	LED E26, max 21W

--	--	--	--	--	--	--

Naviglio

Design:
PIERO LISSONI



+ info: <https://www.depadova.com/materials.pdf>
De Padova srl - info@depadova.it

LAMPADA A SOSPENSIONE

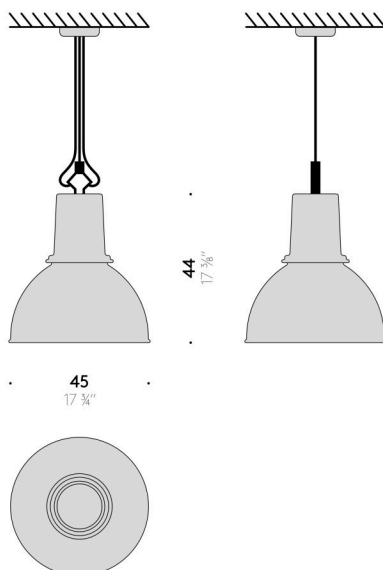
Materiali

Corpo

alluminio tornito in lastra, verniciato a liquido color panna oppure esterno verniciato a polvere color nero, verde Comodoro "soft touch", rosso Nevada e interno verniciato a liquido color panna.

Controllo

dimmer non incluso nella lampada.



EU

INPUT 220÷240V - 50/60Hz
BULB LED E27, max 21W

USA

INPUT 110V - 50/60Hz
BULB LED E26, max 21W



Naviglio

Design:
PIERO LISSONI



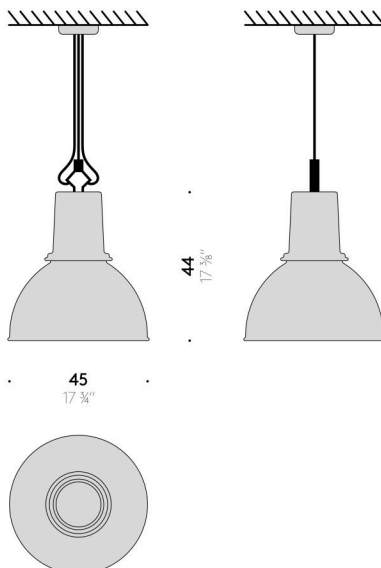
+ info: <https://www.depadova.com/materials.pdf>
De Padova srl - info@depadova.it

LAMPE À SUSPENSION

Matériaux

Corps
aluminium tourné en plaque, peint liquide couleur crème ou extérieur peint à poudre couleur noir, vert Comodoro "soft touch", rouge Nevada et intérieur peint liquide couleur crème.

Contrôle
gradateur non inclus dans la lampe.



EU

INPUT 220÷240V - 50/60Hz
BULB LED E27, max 21W

USA

INPUT 110V - 50/60Hz
BULB LED E26, max 21W



Naviglio

Design:
PIERO LISSONI



+ info: <https://www.depadova.com/materials.pdf>
De Padova srl - info@depadova.it

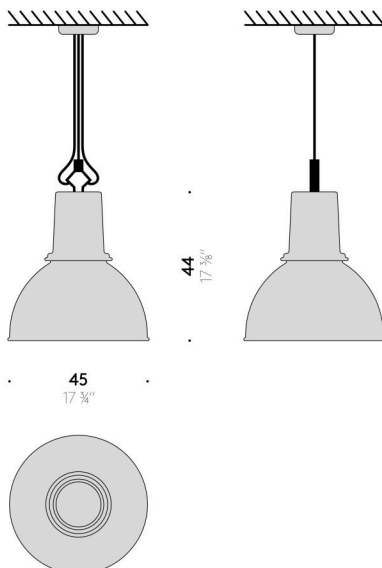
HÄNGELEUCHTE

Materialien

Körper
aus nasslackiertem Aluminium cremefarbig, gedrehte Schicht, oder Außenteil
pulverlackiert in schwarz, Comodoro grün 'soft touch', Nevada rot und
Innenteil nasslackiert in cremefarben.

Steuerung

Dimmer nicht in der Leuchte enthalten.



EU

INPUT 220÷240V - 50/60Hz
BULB LED E27, max 21W

USA

INPUT 110V - 50/60Hz
BULB LED E26, max 21W



Naviglio

Design:
PIERO LISSONI



+ info: <https://www.depadova.com/materials.pdf>
De Padova srl - info@depadova.it

LÁMPARA DE SUSPENSIÓN

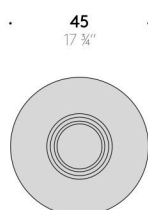
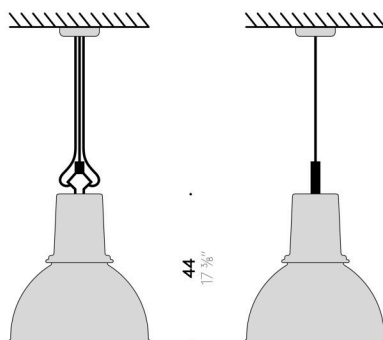
Materiales

Cuerpo

chapa de aluminio torneada, pintada en líquido color nata o exterior pintado en polvo negro, verde Comodoro "soft touch", rojo Nevada e interior pintado en líquido color nata.

Control

dimmer no incluido en la lámpara.



EU

INPUT 220÷240V - 50/60Hz
BULB LED E27, max 21W

USA

INPUT 110V - 50/60Hz
BULB LED E26, max 21W

